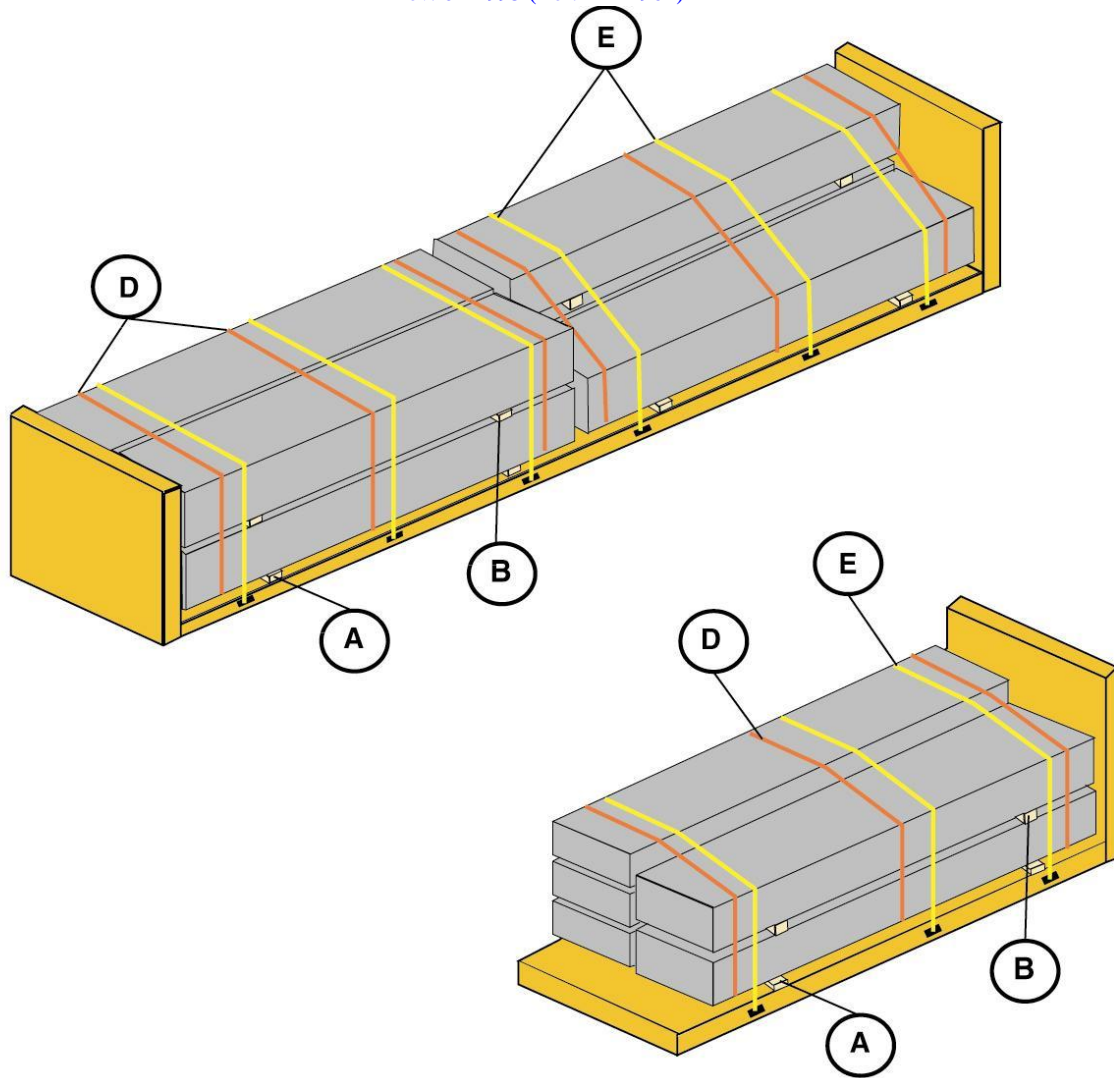


LUMBER IN PACKAGES, 6 FT. LONG OR OVER, FLAT RACK CONTAINERS
WITH BULKHEADS

RAC 17850

Rev. 01-1995 (Ref: AAR 902)



Item	No. of Pcs.	Description
A	2 per package	Bearing pieces, lumber, 2 in. x 4 in., in one piece, length to extend beyond sides of load, but not beyond container sides.
B	2 per package	Separators, lumber, 2 in. x 4 in., in one piece, length equal to width of package.



**LUMBER IN PACKAGES, 6 FT. LONG OR OVER, FLAT RACK CONTAINERS
WITH BULKHEADS**

RAC 17850 (concluded)
Rev. 01-1995 (Ref: AAR 902)

Item	No. of Pcs.	Description
C	2 per package	Package bands, 3/4 in. x .022 in. high-tension bands. Locate one about one-fourth length from each end of package. If dunnage is attached to packages with Item "C" bands, see General Rule 9(m), Section No. 1 of this manual.
D	2 per pile 10 ft. long or less 3 per pile over 10 ft. long up to and including 16 ft 4 per pile over 16 ft. long	Encircling bands, 1-1/4 in. x .029 in. high-tension, encircling entire pile. Locate not less than 9 inches in from ends of pile when possible.
E	2 per pile 10 ft. long or less 3 per pile over 10 ft. long up to and including 16 ft 4 per pile over 16 ft. long	Tie-down bands, 1-1/4 in. x .029 in. high-tension. Pass over top of load and secure to lading strap anchors on each side of container.

Notes:

1. Maximum width of package must not exceed 4 ft., height must not exceed width.
2. All packages within the load must be loaded perpendicular to bulkheads.
3. At point of origin, load must be centered on container.
4. All packages must be butted as close together as possible.
5. Use of stickers within the individual packages is optional. When used they must be uniform thickness throughout. Length of stickers must not exceed width of packages.
6. Packages must not exceed height of bulkhead.
7. All packages must be composed of pieces of uniform width, length and thickness.
8. Laminated bearing pieces and separators are not permitted unless AAR approved and stamped.

See General Rules for further details.