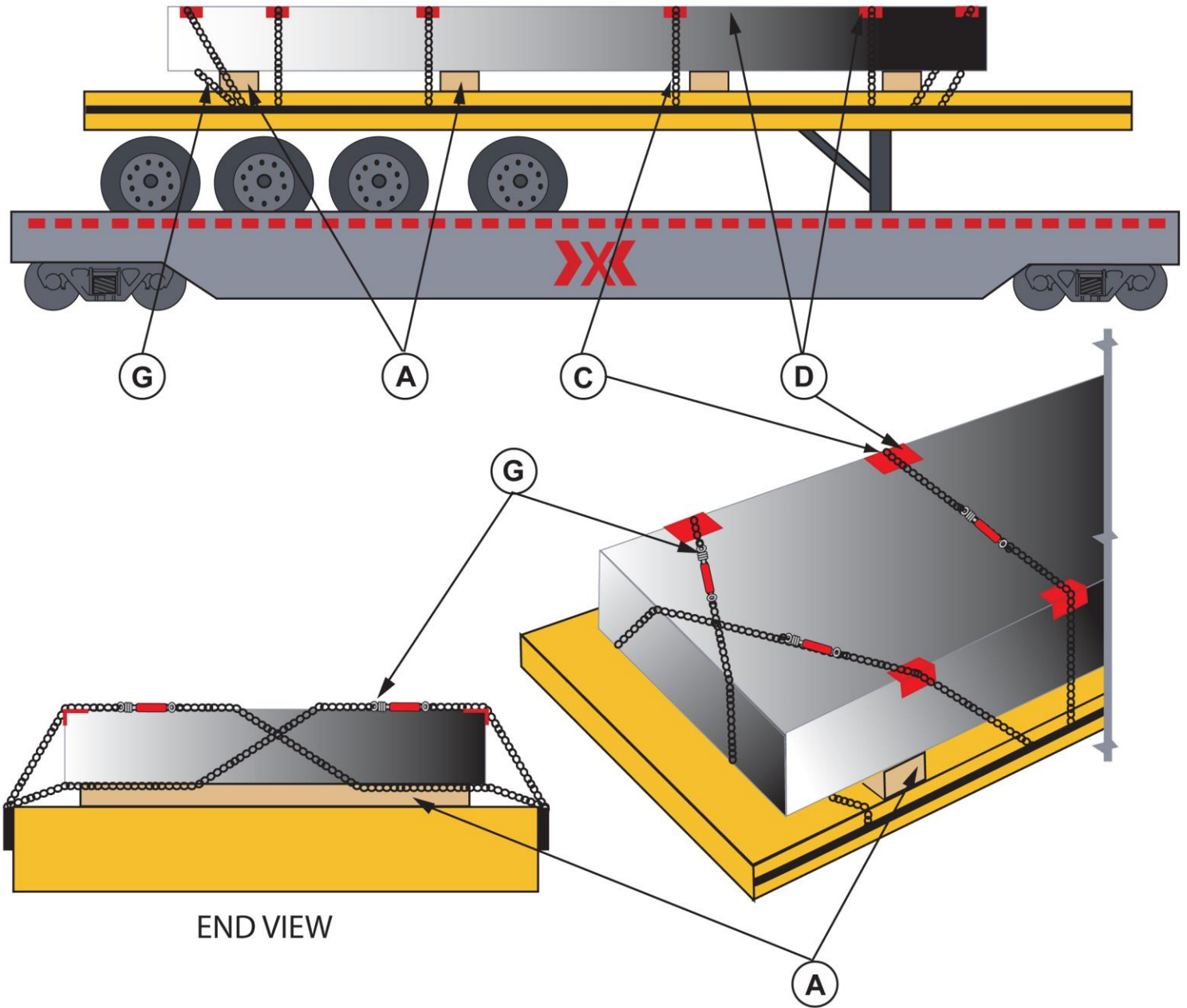




STEEL INGOTS - FLATBED TRAILERS ON EXPRESSWAY CARS

RAC 17009
Revised 08-2016

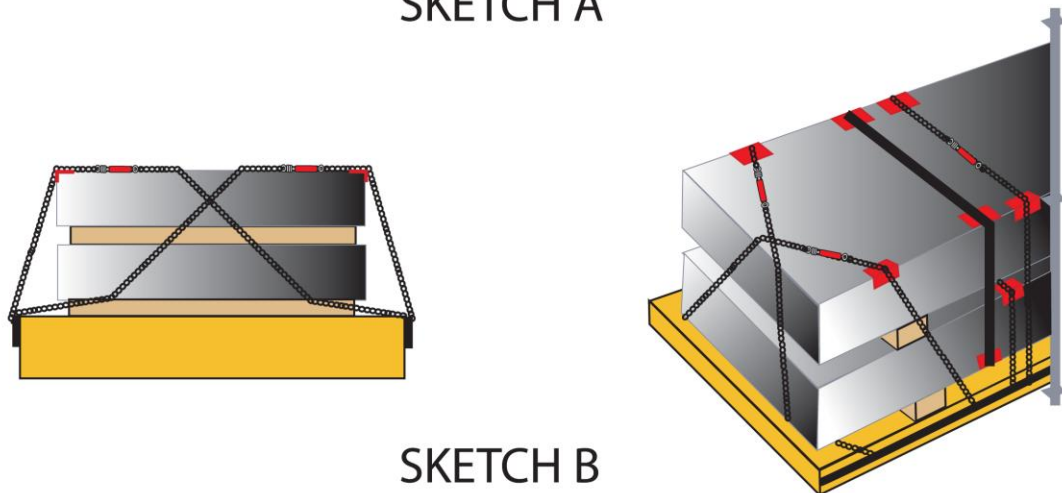
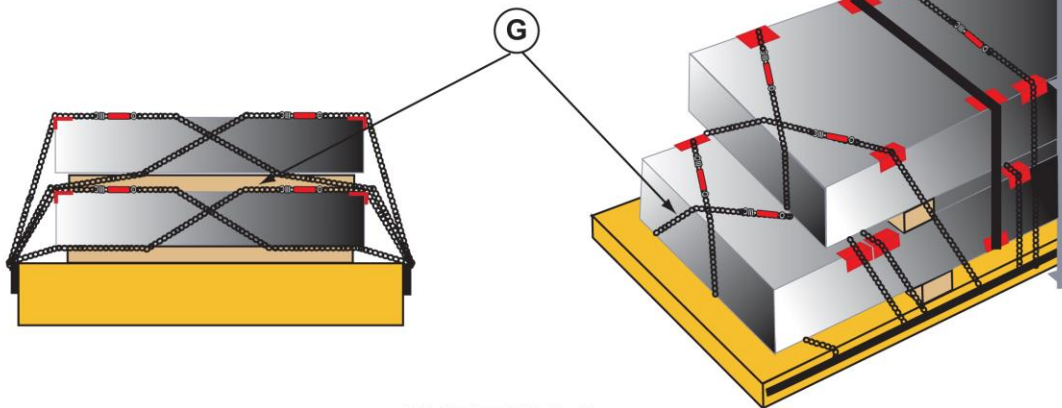
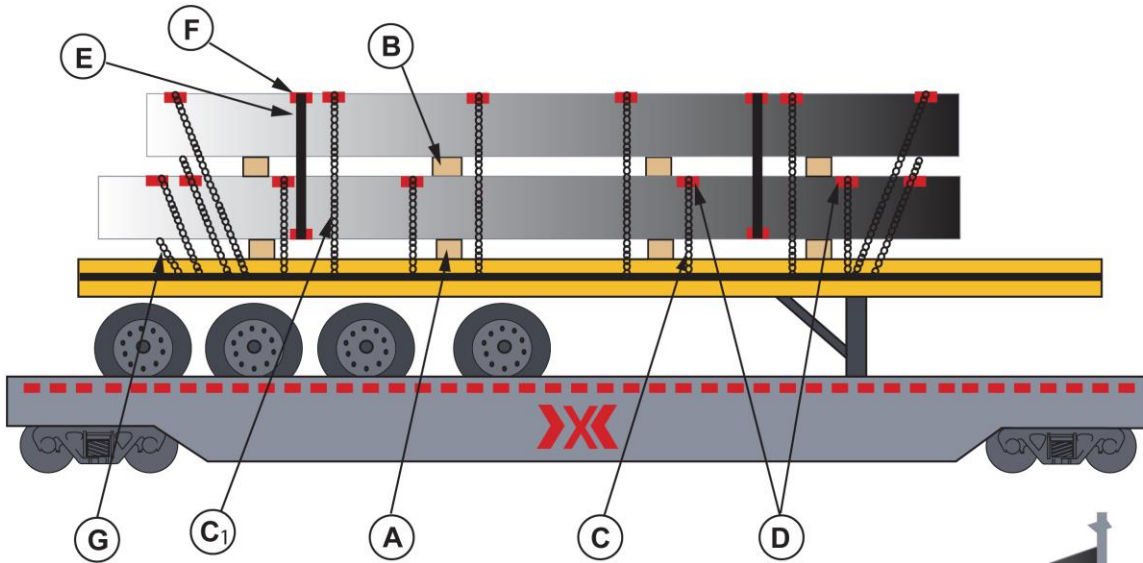




STEEL INGOTS - FLATBED TRAILERS ON EXPRESSWAY CARS

RAC 17009 (Continued)

Revised 08-2016





STEEL INGOTS - FLATBED TRAILERS ON EXPRESSWAY CARS

RAC 17009 (Continued)

Revised 08-2016

| Item | No. of pieces | Description |
|------|---|--|
| A | 4 per pile | Bearing pieces: hardwood 4 X 6 in. located crosswise. They must be one-piece and their length must be equal to the width of pile. The end pieces should be placed not nearer than 12 in. from the ends of piles and the remaining pieces are equally positioned between them. The wider edge must bear against the deck. Bearing pieces are not secured to deck. |
| B | 4 per pile | Separators: hardwood 4 X 6 in. to be positioned above bearing pieces (Item A). They must be one-piece and their minimum length must be equal to the width of pile. The wider edge must bear against the ingot located in the lower pile. The end pieces should be placed not nearer than 12 in. from the ends of piles and the remaining pieces are equally positioned between them. |
| C | 4 per bottom pile 27ft. to 35 ft. Add 1 chain for each additional 5 ft. | Binder Chain Tie Down: 3/8 in. grade 70 with a MBS of 26,400 lbs. Pass chains laterally (not diagonally) over bottom pile and secure in a stake pocket on each side of the trailer. They shall be placed no closer than 12 in. from the end of the pile. Chains must not contact bearing pieces or separators. |
| C1 | 4 per top pile 27ft. to 35 ft. Add 1 chain for each additional 5 ft. | Binder Chain Tie Down: 3/8 in. grade 70 with a MBS of 26,400 lbs. Pass chains laterally (not diagonally) over top pile and secure in a stake pocket on each side of the trailer. They shall be placed no closer than 12 in. from the end of the pile. Chains must not contact bearing pieces or separators. |
| D | 1 per corner | Corner protectors: required wherever a chain contacts the edge of a plate. (Except on chains crossed at each end of the ingots). |

STEEL INGOTS - FLATBED TRAILERS ON EXPRESSWAY CARS

RAC 17009 (Concluded)

Revised 08-2016

| Item | No. of pieces | Description |
|------|---|--|
| E | 2 per pile | Encircling bands: 2 in. x .044 in. high tension. Locate one band not less than 12 in. in from each end of pile and secure them on top of the top pile. (Maybe be substituted by 3/8 in. grade 70 chains with a MBS of 26,400 lbs or by Type 1 Grade 7 polyester strap.) |
| F | 1 per corner | Corner protectors required wherever a steel band contacts the edge of a plate. |
| G | 2 at each end when end of ingots are of equal length and 2 additional at the end where the length is different. | Crossed chains, 3/8 in. grade 70. Required when no other means of preventing longitudinal movement is provided. Two per end are required. (See SKETCH "B"). When ends of ingots are not even, four cross chains must be applied two on the bottom ingot and two additional on the top ingot. (See SKETCH "A"). Chains must be applied so that they do not contact bearing pieces. Secure chains in a stake pocket on each side of the trailer. |

Notes:

1. Load must be laterally centered on trailer.
2. Bearing pieces and separators must be two inches wider than high and must contact ingots and floor at all time.
3. Piles must be equally superposed before applying encircling bands.
4. Superposing a shorter ingot on a longer one is permitted as long as the difference in length doesn't exceed 8 ft. (4 ft. at each end). Piles must be centered if possible.
5. Chains and encircling bands must be square to the load. Crossed chains must be placed at an angle as near as 45 degrees when possible.
6. Only one chain per stake pocket. It is stated by the trailer builder to use pipe spools instead of stake pockets if possible. Pass chain through stake pocket and secure hook to a chain link above stake pocket.

See General Rules for further details.